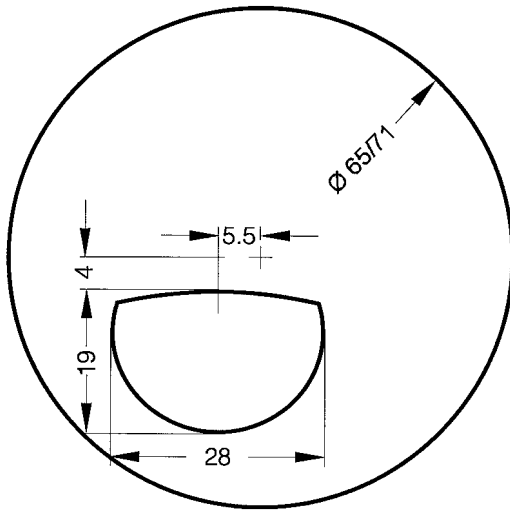


C 28 65/71 mm

**SEMI FINISHED
BIFOCAL**

**mineral 1.525
WHITE, PBX**



Refractive Index n_e	1.525	
	WHITE	PBX
Abbe Value v_e	58.5	56.2
Density [g/cm ³]	2.61	2.41
99% UV-Protection	330	335

WHITE	Addition [dpt]																		
Base	0.50	0.75	1.00	1.25	1.50	1.75	2.00	2.25	2.50	2.75	3.00	3.25	3.50	3.75	4.00	4.50	5.00	5.50	6.00
0.50			●	●	●	●	●	●	●	●	●	●	●	●	●				
2.00		●	●	●	●	●	●	●	●	●	●	●	●	●	●				
4.25	○	●	●	●	●	●	●	●	●	●	●	●	●	●	●	○	○		
6.25	○	●	●	●	●	●	●	●	●	●	●	●	●	●	●	○	○	○	○
8.25	○	●	●	●	●	●	●	●	●	●	●	●	●	●	●	○	○	○	○
10.25		●	●	●	●	●	●	●	●	●	●	●	●	●	●				

PBX	Addition [dpt]																		
Base	0.50	0.75	1.00	1.25	1.50	1.75	2.00	2.25	2.50	2.75	3.00	3.25	3.50	3.75	4.00	4.50	5.00	5.50	6.00
0.50																			
2.00			●	●	●	●	●	●	●	●	●	●	●	●	●				
4.25		●	●	●	●	●	●	●	●	●	●	●	●	●	●				
6.25		●	●	●	●	●	●	●	●	●	●	●	●	●	●				
8.25		●	●	●	●	●	●	●	●	●	●	●	●	●	●				
10.25																			

- stock range
- available on request / delivery time app. 4 weeks

5 0000 778

Version
1C1AZ09D

Date
04.02.2013

TIC Optics GmbH

Page
16