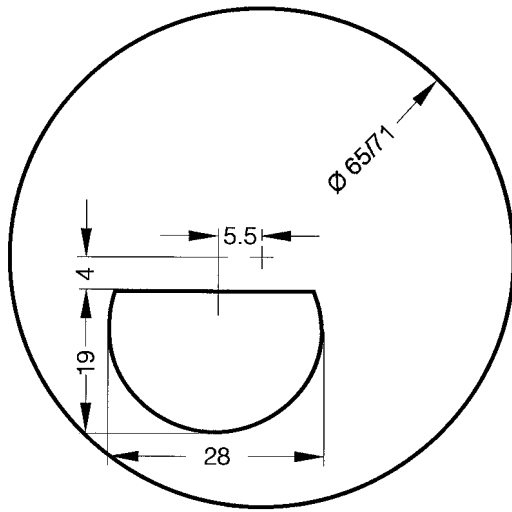


D 28 65/71 mm

**SEMI FINISHED
BIFOCAL**

**mineral 1.525
WHITE, PBX, PGX**



Refractive Index n_e	1.525		
	WHITE	PBX	PGX
Abbe Value v_e	58.5	56.2	56.7
Density [g/cm ³]	2.61	2.41	2.41
99% UV-Protection	330	335	335

WHITE	Addition [dpt]																			
Base	0.50	0.75	1.00	1.25	1.50	1.75	2.00	2.25	2.50	2.75	3.00	3.25	3.50	3.75	4.00	4.50	5.00	5.50	6.00	
0.50			●	●	●	●	●	●	●	●	●	●	●	●	●					
2.00			●	●	●	●	●	●	●	●	●	●	●	●	●					
4.25		●	●	●	●	●	●	●	●	●	●	●	●	●	●					
6.25		●	●	●	●	●	●	●	●	●	●	●	●	●	●					
8.25		●	●	●	●	●	●	●	●	●	●	●	●	●	●					
10.25			●	●	●	●	●	●	●	●	●	●	●	●	●					

PBX	Addition [dpt]																			
Base	0.50	0.75	1.00	1.25	1.50	1.75	2.00	2.25	2.50	2.75	3.00	3.25	3.50	3.75	4.00	4.50	5.00	5.50	6.00	
0.50																				
2.00			●	●	●	●	●	●	●	●	●	●	●	●	●					
4.25		●	●	●	●	●	●	●	●	●	●	●	●	●	●					
6.25		●	●	●	●	●	●	●	●	●	●	●	●	●	●					
8.25		●	●	●	●	●	●	●	●	●	●	●	●	●	●					
10.25																				

PGX	Addition [dpt]																			
Base	0.50	0.75	1.00	1.25	1.50	1.75	2.00	2.25	2.50	2.75	3.00	3.25	3.50	3.75	4.00	4.50	5.00	5.50	6.00	
0.50																				
2.00																				
4.25		●	●	●	●	●	●	●	●	●	●	●	●	●	●					
6.25		●	●	●	●	●	●	●	●	●	●	●	●	●	●					
8.25		●	●	●	●	●	●	●	●	●	●	●	●	●	●					
10.25																				

● stock range

5 0000 778

Version
1C1AZ16D

Date
05.02.2013

TIC Optics GmbH

Page
23