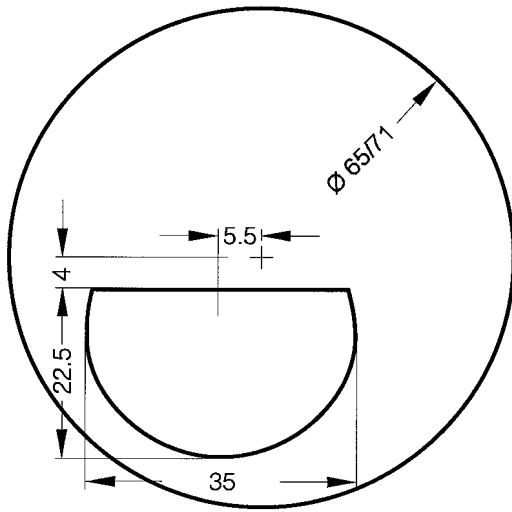


D 35 65/71 mm

**SEMI FINISHED
BIFOCAL**

**mineral 1.525
WHITE**



Refractive Index n_e	1.525
	WHITE
Abbe Value v_e	58.5
Density [g/cm ³]	2.61
99% UV-Protection	330

WHITE	Addition [dpt]																		
Base	0.50	0.75	1.00	1.25	1.50	1.75	2.00	2.25	2.50	2.75	3.00	3.25	3.50	3.75	4.00	4.50	5.00	5.50	6.00
0.50																			
2.00																			
4.25		●	●	●	●	●	●	●	●	●	●	●	●						
6.25		●	●	●	●	●	●	●	●	●	●	●	●						
8.25		●	●	●	●	●	●	●	●	●	●	●	●						
10.25																			

● stock range

5 0000 778

Version
1C1AZ18D

Date
05.02.2013

TIC Optics GmbH

Page
25